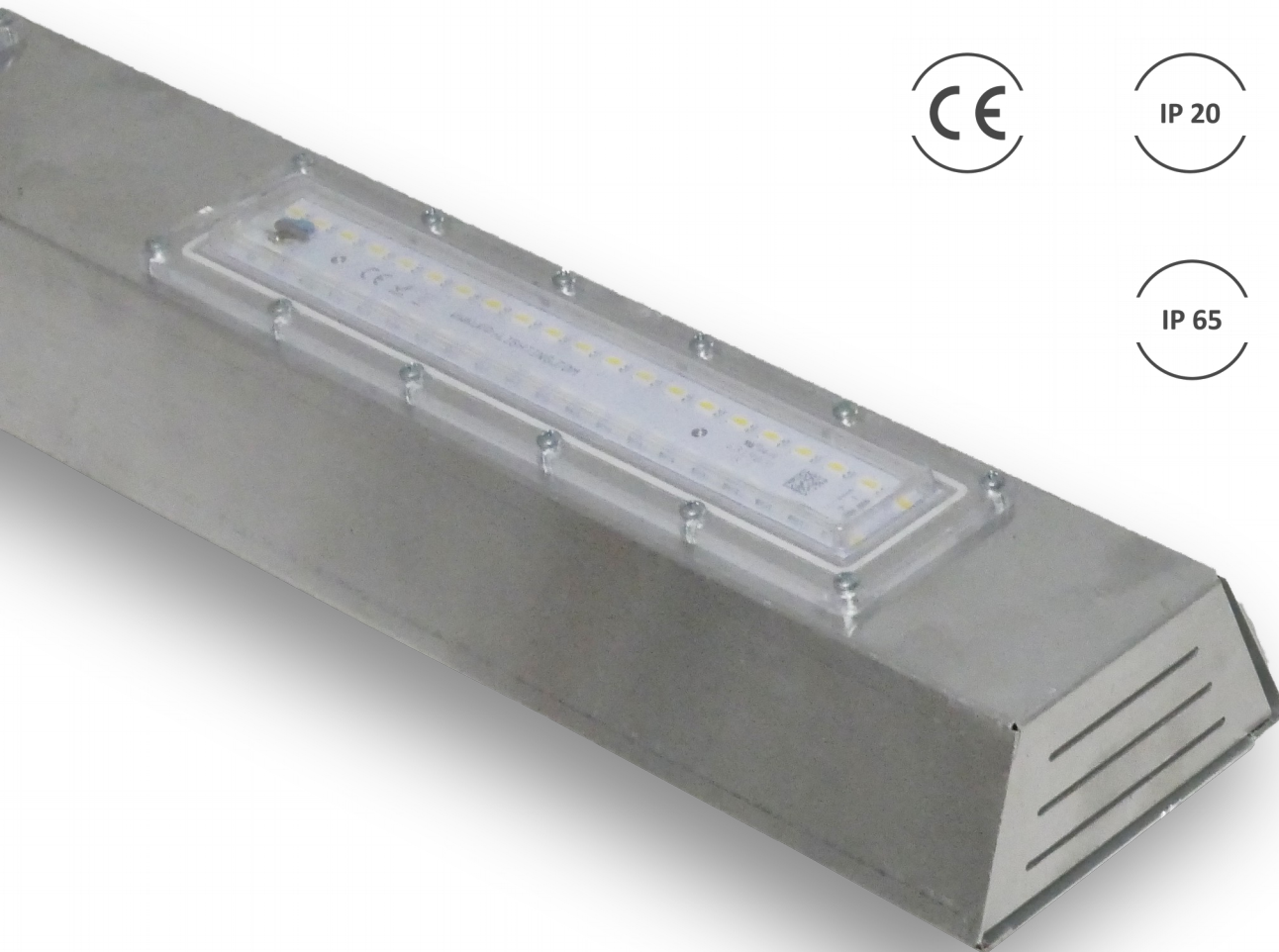
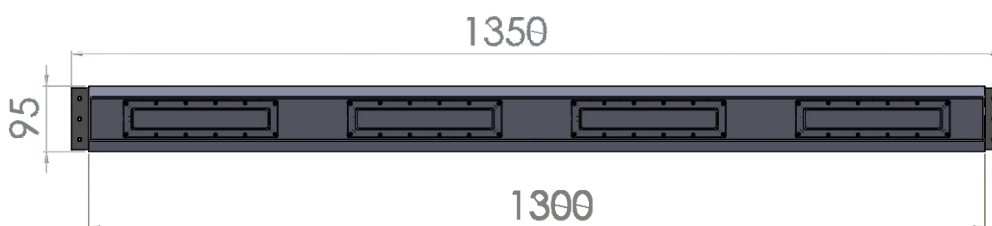


KP-TRAPEX

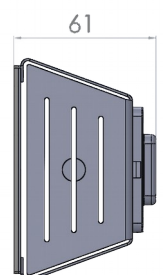
145 lm/W



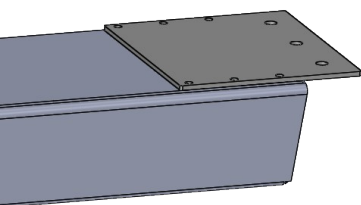
Technical drawings (mm)



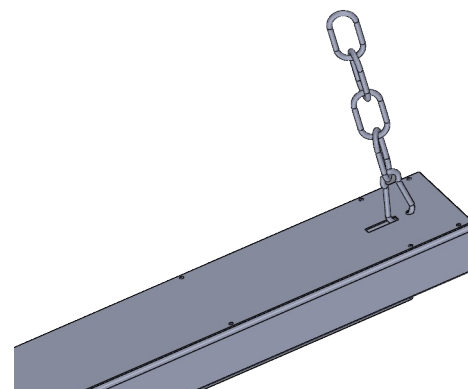
KP-TRAPEX
60-200



Fixing



The fixing of the lamp can be individually adjust



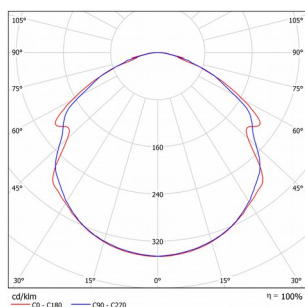
Basic parameters

Version	Power	Lumen output	Type	Lamp dimension (length x width x height)[mm]	Net weight [kg]
30-200	35 W	5 075 lm	Indoor / Outdoor	644 x 95 x 61	1,5
60-200	65 W	9 425 lm		1300 x 95 x 61	2
90-200	95W	13 775 lm		1950 x 95 x 61	2,4

- Power and lumen output of lamp may hesitate +/- 5% from the table above
- KP-TRAPEX with different power is possible and we consider each case individually

Specification

Input voltage	AC 220 ÷ 240V
Appliance classes	I
Working temperature	-20°C ÷ 35°C
Color rendering index (CRI)	Ra>80
Life time	> 50 000 hours
Color temperature	5000K 4000K other to order
Material	Structure aluminium build
	Finish can be anodized or varnished
LED Vender	Samsung



light distribution curve

